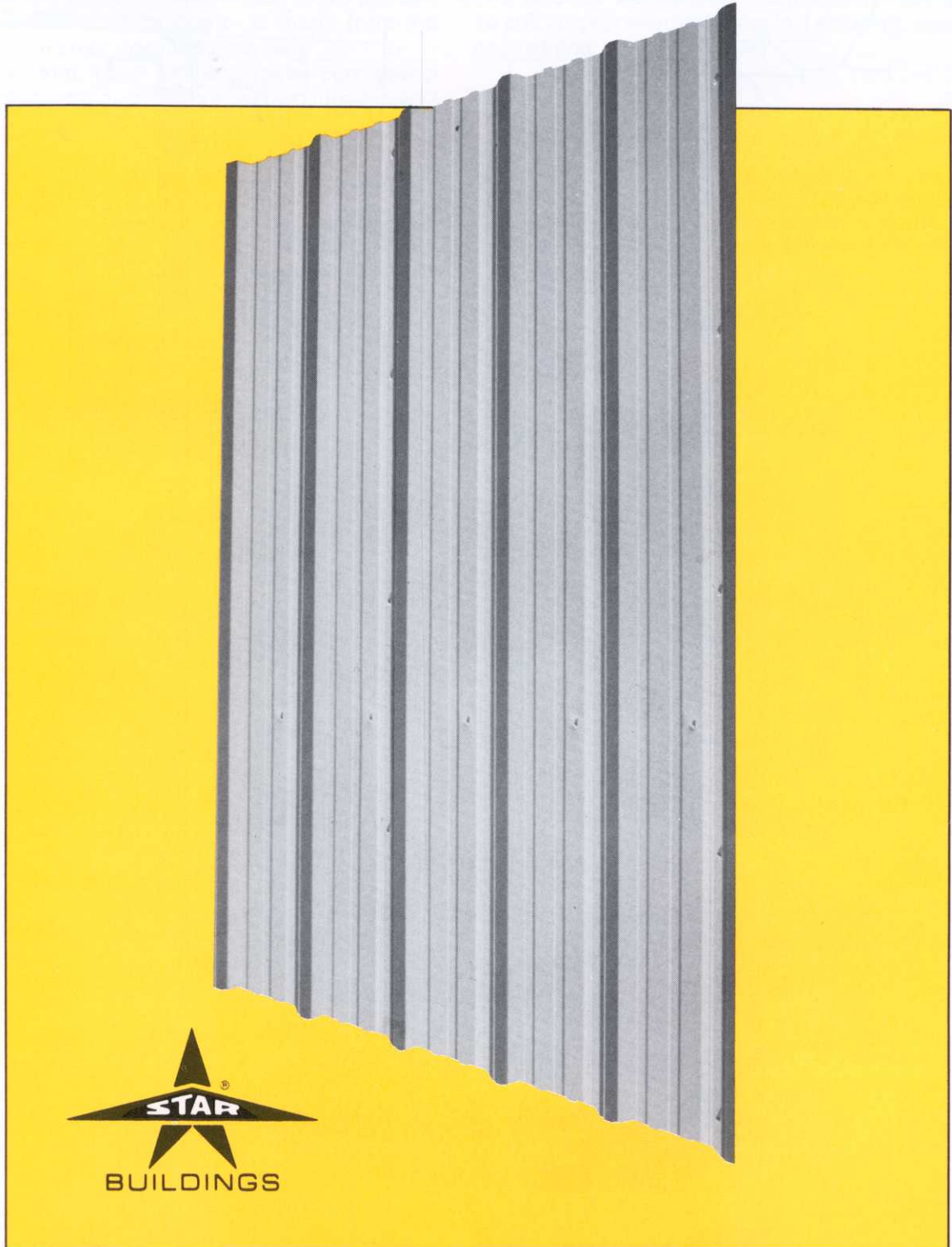
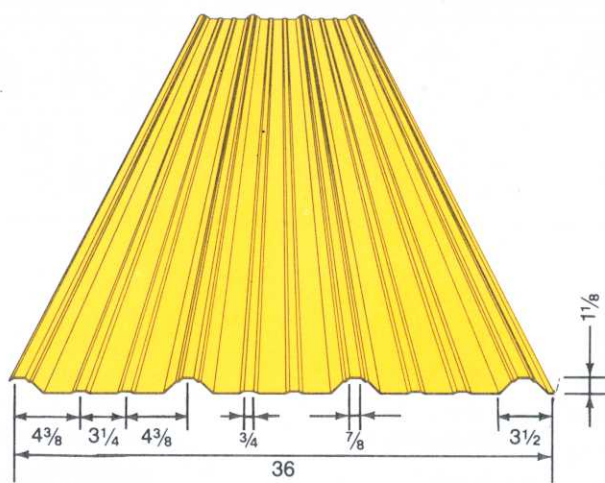


THE DURARIB WALL SYSTEM



STAR DURA-RIB

PANEL PROFILE AND PROPERTIES



DIMENSIONS SHOWN ARE NOMINAL.

ENGINEERING PROPERTIES OF STEEL DURA-RIB WALL PANEL									
GAUGE	STEEL THK. (IN.)	COATED THK. (IN.)	FY (KSI)	WEIGHT (#/FT. ²)	OUTSIDE IN COMPRESSION		INSIDE IN COMPRESSION		F _b (KSI)
					I _x (IN. ⁴ /FT.)	S _x (IN. ³ /FT.)	I _x (IN. ⁴ /FT.)	S _x (IN. ³ /FT.)	
26	.018	.0198	50	.933	0.03917	0.04421	0.03665	0.04352	30
24	.022	.0239	50	1.128	0.04752	0.05614	0.04518	0.05354	30

1. Section properties have been calculated in accordance with the 1986 AISI Cold-Formed Steel Specification with 1989 Addendum.
2. Steel thickness was used in determining section properties. Coated thickness includes galvanized or zinc-aluminum coating

ALLOWABLE LOAD (PSF) FOR NOMINAL GIRT SPACING					
GAUGE	SPAN CONDITION	SPAN CONDITION	GIRT SPACING		
			5'-0	6'-0	7'-0
26	SIMPLE	PRESSURE	47.06 54.78	32.68 31.70	24.01 19.96
		SUCTION	46.33 51.26	32.17 29.66	23.64 18.68
	2-SPAN	PRESSURE	46.33 127.84	32.17 73.98	23.64 46.59
		SUCTION	47.06 127.84	32.68 73.98	24.01 46.59
	3-SPAN	PRESSURE	57.91 100.05	40.22 57.90	29.55 36.46
		SUCTION	58.83 100.05	40.85 57.90	30.01 36.46
24	SIMPLE	PRESSURE	59.76 66.46	41.50 38.46	30.49 24.22
		SUCTION	57.00 63.19	39.58 36.57	29.08 23.03
	2-SPAN	PRESSURE	57.00 156.30	39.58 90.46	29.08 56.96
		SUCTION	59.76 156.30	41.50 90.46	30.49 56.96
	3-SPAN	PRESSURE	71.24 122.33	49.48 70.79	36.35 44.58
		SUCTION	74.70 122.33	51.88 70.79	38.11 44.58

1. Top values are based on stress. 1/3 for wind load is included
2. Bottom values are based on deflection of L/120 for 10 year wind (L/90 for 50 year wind).
3. Standard fastener pullover allowable is 222 lbs. including 1/3 increase for wind (#12 fastener without washer).



Star Building Systems
8600 South Interstate 35
Box 94910
Oklahoma City, OK 73143
800-654-3921
FAX 405-636-2037

Star Building Systems are erected by independent building contractors. All Star claims as to the ultimate performance of its product are contingent upon proper erection techniques as employed by the erecting contractor. These techniques must be in accordance with Star Building Systems' suggested erection procedures. Star Building Systems is not liable for damages incurred through improper erection procedures. Descriptions and specifications contained herein were in effect at the time this publication was approved for printing. Star reserves the right to discontinue products at any time or change specifications and/or designs without notice and without incurring obligation.



Check out our website at: www.starbuildings.com
or e-mail us at: chambers@ok1000.mbg.com

PDS-SDRW-1099

Dura-Rib® Wall System Specifications

I. GENERAL

- A. The wall system will consist of metal panels joined together with fasteners through overlapping sidelaps and secured to the structure with fasteners. Integral components such as corner trim, base trim and eave trim will be furnished as required.

II. PANEL DESCRIPTION

- A. All Dura-Rib panels will be precision roll formed to provide 36" wide net coverage. Finished panels will have four major corrugations 1 $\frac{1}{8}$ " high at 12" on center, with two minor ribs between each major rib.

III. PANEL DESIGN

- A. Panel design shall be in accordance with AISI "Specification for the Design of Light-Gauge, Cold Formed Steel Structural Members," and in accordance with sound engineering methods and practices.

IV. PANEL MATERIALS AND FINISH

- A. The wall will be covered with:
1. Dura-Rib panels of 26 or 24 gauge, 50,000 PSI minimum yield steel Aluminum-Zinc alloy coating (ASTM Specification A792)

IV. PANEL MATERIALS AND FINISH

1. Factory colored Dura-Rib panels of 26 or 24 gauge, 50,000 PSI minimum yield steel Aluminum-Zinc alloy coating (ASTM Specification A792). Siliconized polyester coating can be applied, or an inorganically pigmented 70% polyvinylidene fluoride coating can be applied (70% Kynar).

V. FASTENERS

- A. All connection of wall panels to structural framing shall be made with:
1. #12 - 14 x $\frac{7}{8}$ " self-drilling screws, long life coated, painted to match wall color, no sealing washer.
 2. #12 - 14 x $1\frac{1}{4}$ " self-drilling screws, long life coated, painted to match wall color, no sealing washer (optional).
 3. $\frac{1}{4}$ - 14 x $\frac{3}{4}$ " self-drilling screws, long life coated, painted to match wall color, no sealing washer (stitch fastener).
- B. Location of the fasteners shall be as shown on the manufacturer's drawings.

VI. ACCESSORIES

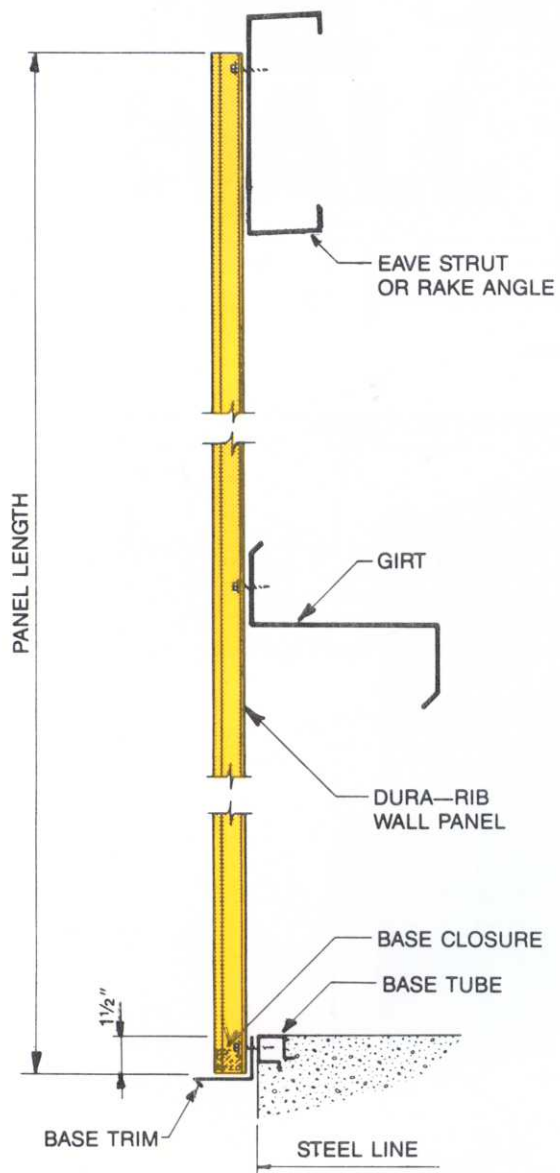
- A. Accessories, i.e., doors, windows, louvers, shall be as standard with Star Building Systems unless otherwise noted, and furnished as specified.
- B. Standard accessory locations shall be as shown on erection drawings as furnished by Star Building Systems.

VII. TESTING

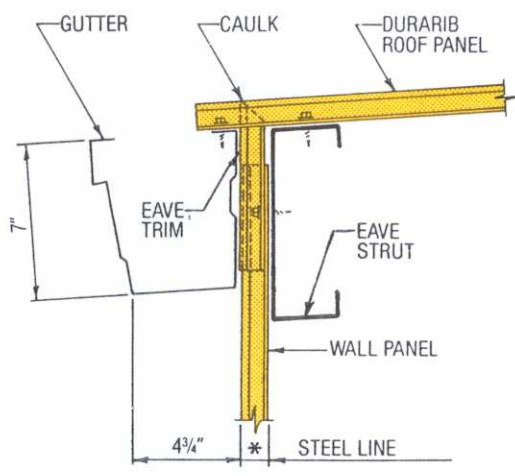
- A. The Dura-Rib wall system will be tested for diaphragm action to resist wind load and witnessed by an independent laboratory.

VIII. WARRANTIES

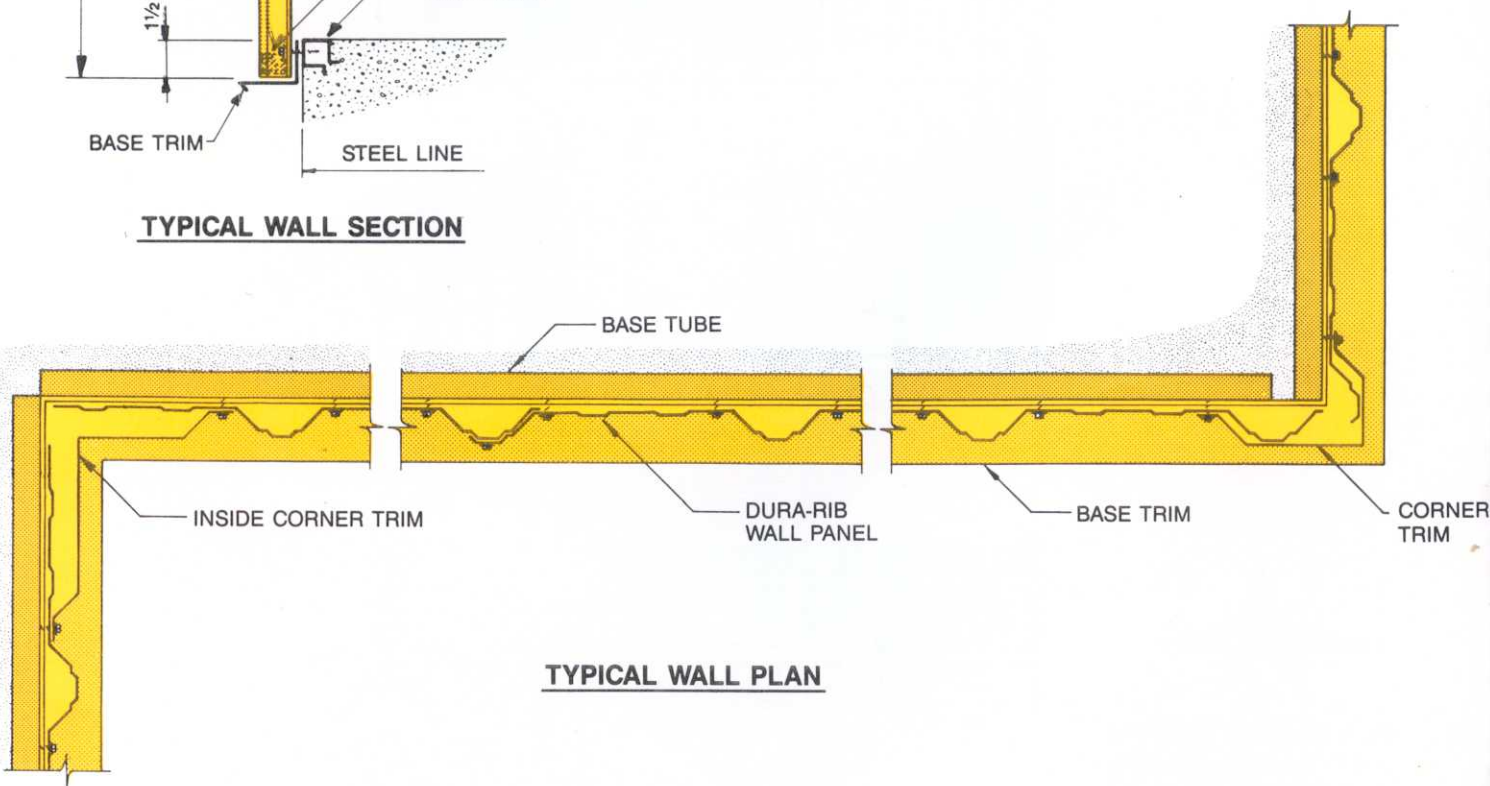
- A. All wall panels shall be warranted for a period of one year for defects in material or workmanship.
- B. Panels finished with siliconized polyester coatings shall be warranted for a period of 10 or 20 years against blistering, peeling, and chalking according to manufacturer's standard warranty. Panels finished with 70% Kynar coating shall be warranted for 20 years.



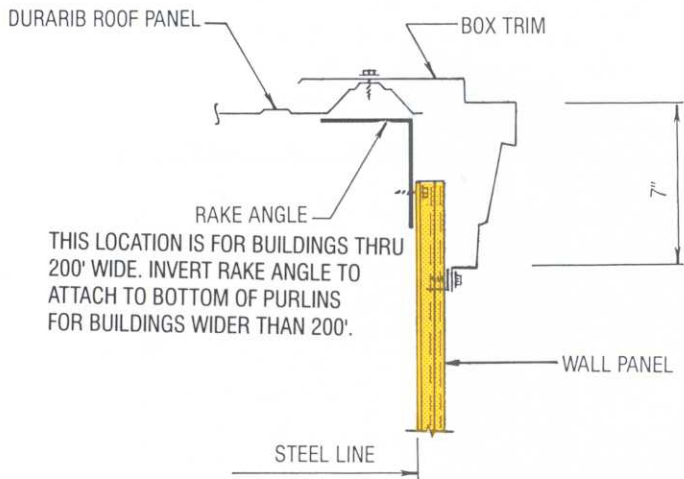
TYPICAL WALL SECTION



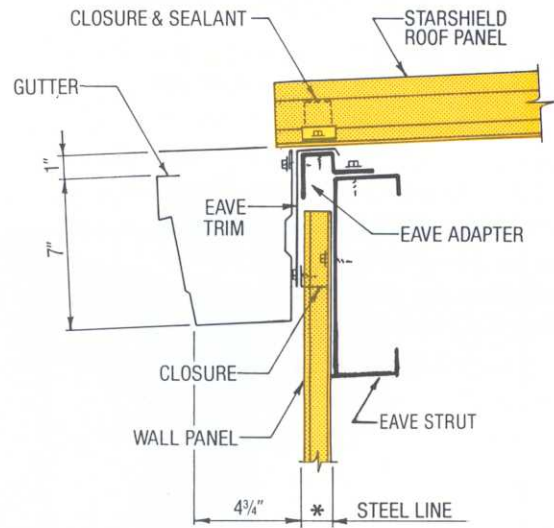
EXTERIOR EAVE GUTTER



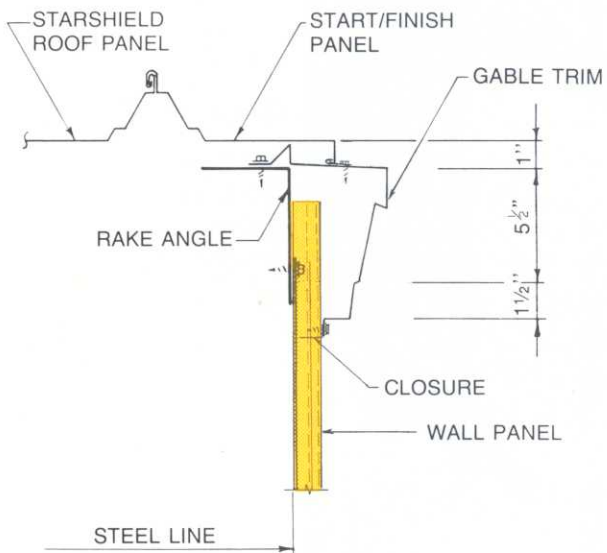
TYPICAL WALL PLAN



GABLE - BOX TRIM



EXTERIOR EAVE GUTTER



GABLE TRIM



DURABLE, FUNCTIONAL, ECONOMICAL

Star Dura-Rib wall system is a functional and economical product that provides durability, cost efficiency and ease in erection.

Board and batten looks are achieved by the clean and simplest profile that refracts light off its $1\frac{1}{8}$ " high ribs on 12" centers. Precision roll forming ensures a flat surface and uniform definition of the profile. The attachment of the panel is made from the exterior with color matched fasteners.

Corner trim, base trim and metal corrugation closures are standard features of the Dura-Rib wall

system. It is available in a variety of colors with a complete line of self-flashing accessories including windows, doors and storefront window systems.

Dura-Rib's unique design adds structural strength and provides superior load carrying capacity. Dura-Rib is available in a variety of finishes and colors. The finishes are virtually maintenance free with 10 and 20-year warranties against chipping, peeling or blistering.

